

PRODUCT CATALOG

# Building-integrated rooftop solar (BIPV) solutions

Durable building-integrated rooftop 2-in-1 solar panels replacing traditional roofing.

Simple, aesthetic, lightweight and cost-effective.



Developed and produced in Estonia

OVER 900 projects  
80,000 m<sup>2</sup> roofs  
150 partners  
12 countries





SOLAR FULL ROOF

# Solarstone® Solar Full Roof™

Solarstone® Solar Full Roof™ is a comprehensive, turnkey BIPV solution that integrates market-leading photovoltaic modules with your building envelope.

## INNOVATION

Standard size PV panels and aluminium composite panels (ACP) converted into waterproof roofing system. Simplest 2-in-1 solar roof.

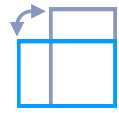
## RELIABLE

Solarstone® will provide maximum protection from the weather and generate power at relatively low costs. Solarstone® panels do not need any additional fittings.





## SIMPLICITY



Portrait  
Landscape

Solar modules are installed directly onto wooden battens either in landscape or portrait mode without any expensive mounting accessories.

## LASTING



Eco  
Premium

Supported by patented Click-on® technology, the Solar Full Roof™ is the most efficient and robust method to incorporate top solar products into your roof.

## COMPATIBILITY



Passive  
Active

Solar Full Roof™ replaces traditional roof tiles, shake or shingle with innovative solar modules. Use transition flashings to blend with traditional roof materials.

## VALUE



Lasting  
Value

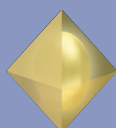
Solarstone® Click-on® 2-in-1 roof pays for itself with the energy it produces. Cost-effective solution to beat regular solar & roof combinations.

## APPLICATION

- New-builds & renovation projects
- Residential & public buildings
- Carports
- Production & ancillary facilities
- Facades

## ADVANTAGES

- 2-in-1 PV system for portrait & landscape installations
- Passive dummy modules for roof perimeter & obstacles
- Frame compatibility with most popular Tier 1 PV panels
- Easy onsite assembly & installation



QUALITY  
INNOVATION  
AWARD





## SOLAR TILED ROOF

# Solarstone® Solar Tiled Roof™

With Solar Tiled Roof™, 5 or 6 roof tiles get replaced by 1 solar module with a guaranteed seamless transition.

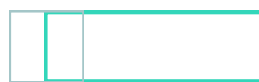
## VISUAL APPEAL

Unique built-in roof system by Solarstone® combines modern seamless design with practicality. Solarstone® modules are installed directly onto timber batten without any costly fittings.



## AWARD-WINNING

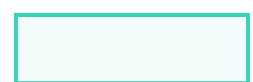
Solarstone®'s building-integrated solar products have been awarded internationally. Innovative Solarstone® design has been granted European patent: EP 3 319 228 B1.



Ample tile compatibility



Easy installation



Aesthetics







- Solarstone Aluminium Framing
- Prismatic Solar Glass
- EVA
- Mono Perc Solar Cells
- EVA
- Backsheet
- Junction Box

### TESTED AND SAFE

Solarstone® panels have been tested according to IEC 61730 standards in order to provide safe electrical and mechanical operation. Solarstone® modules are marked with CE marking.

### FIT ANY TILED ROOF

Solarstone® panels are sturdy and light (108 W panel weighs 8.2 kg) and do not require any additional strengthening to be carried out on the wooden construction.







CARPORT

# Solar Carport

Power your home and charge your electric vehicle with a single first-class investment!

Solarstone®'s watertight solar roof allows to create a practical solar carport.

Carport provides a smart way of clean energy production. The space under the solar panels can still be functionally used. The structure looks modern and aesthetic.

## SAVINGS AND PROTECTION

Decades of electricity generation and vehicle protection are yours to enjoy - all this from a carport that ultimately pays for itself.

If you own an electric car, you can lead the way to 100% sustainability by adding an integrated 22 kW EV charger.





### Affordable electricity

Self-produced renewable energy is the cheapest form of energy. By using your parking lot for energy production, you can achieve a partial energy independence.

### Solar production

Depending on the selected model, Solar Carport fits 1 or 2 cars and produces between 3000 to 7000 kWh of energy annually.

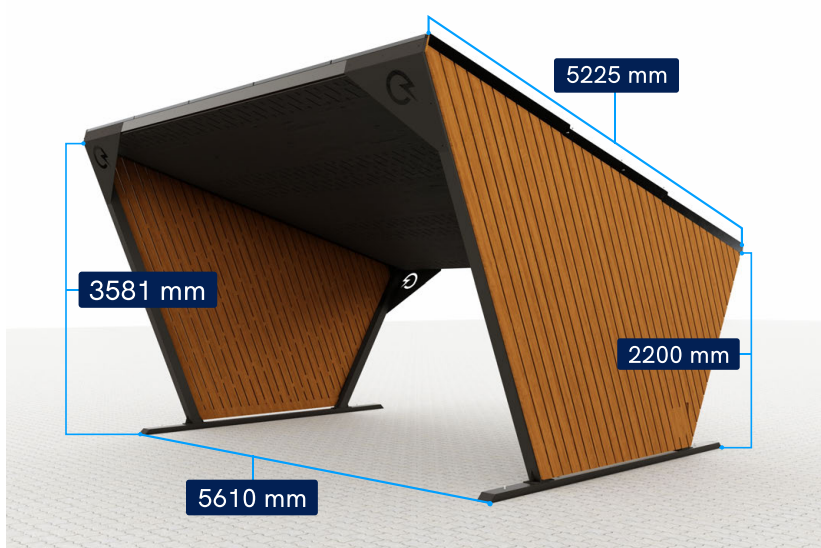
### EV charging

A 22 kW EV charger is integrated into the carport structure, eliminating the need for external chargers and providing maximum comfort.

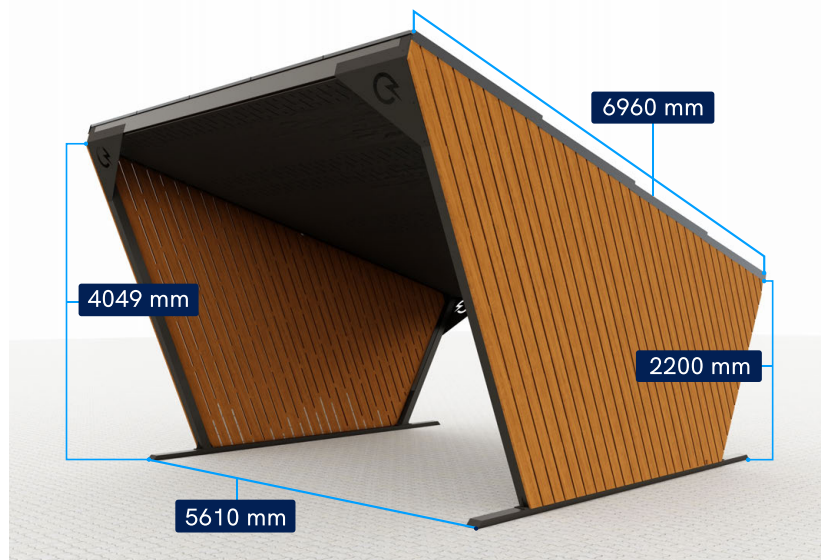
### Price

Prices range from 8900 to 14,500 euros, which covers the steel structure, solar panels, clamps, and flashings. However, the cost does not include shipping, documentation, taxes, installation, or any optional features.

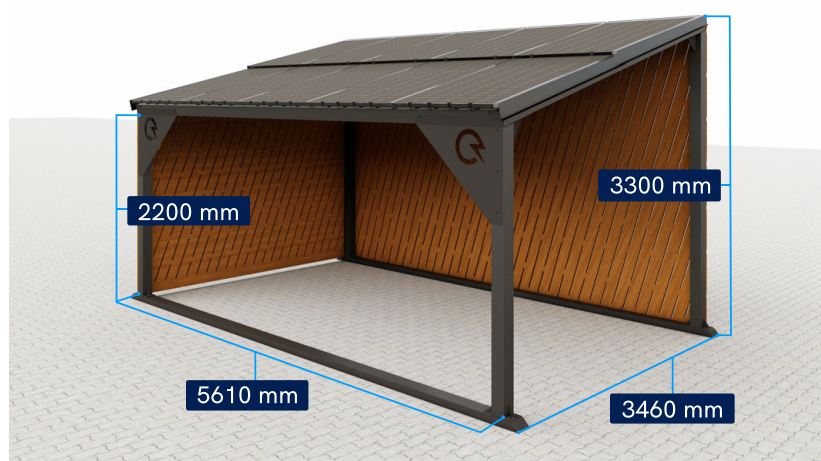
**Solar Carport Modern**  
5,85 kW



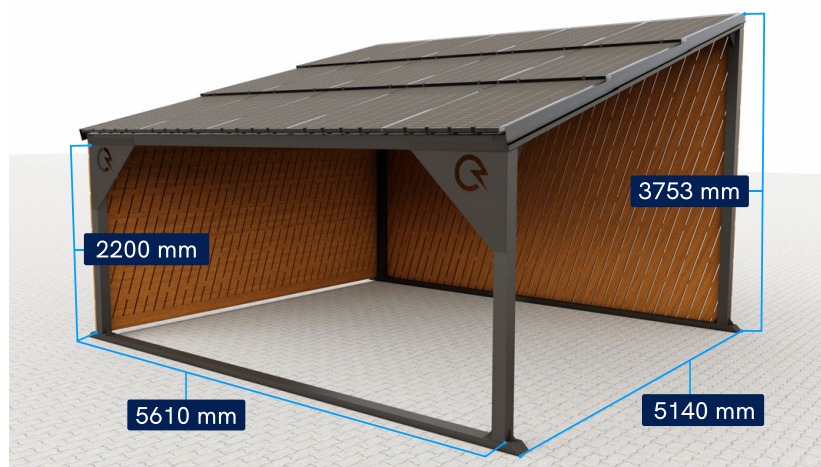
**Solar Carport Modern Plus**  
7,8 kW



**Solar Carport Classic Single**  
3,9 kW



**Solar Carport Classic Duo**  
5,85 kW



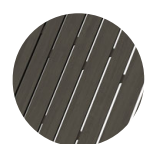
**Solar Carport Extension**  
For apartments & businesses



White



Mahogany



Heather



Hazelnut



## INFORMATION

# General information

## How many Solarstone panels do I need to fulfil my energy needs?

Every project should be dealt separately given desired results. Familiarise with your current energy consumption and let us do the math. Keep in mind that an average household consumes approx. 10,000 kWh per year.

This equals with approximately 100 sleek Solarstone Solar Tiled Roof panels (ca 60 m<sup>2</sup>) or 30 Solar Full Roof panels to get you covered for generations to come.

## What sort of challenges will snow and ice pose to the integrity and longevity?

Solarstone panels have high durability due to extra strong framing. Interlocking and overlapping system of panels prevents any snow or ice piling to a degree that would compromise the integrity of the product.

## Requirements I should consider before I install Solarstone panels?

Most crucial requirement is the direct exposure to the Sun in order to maximise the efficiency of the panels. Tall trees and buildings hindering southward sunlight should be considered when planning the project.

Minimum pitch of installed modules is 18 degrees to ensure water tightness. If the slope is less, 100% waterproof underlay should be used.

## Over 900 projects

Solarstone has been well received in the Nordic and Baltic region with more than 900 BIPV solar roofs completed.

Combined output of systems installed is approximately 8.1 MW.

We help reduce more than 8280 tons of CO<sub>2</sub> emissions every year.







# We are leading the way to better solar solutions.

## Expertise

Solarstone provides configurator and dimensioning tools for professionals. We have validated the partners that will take care of the traditional roofing works, module installation, electrical works and commissioning.

## Why choose Solarstone?

New-builds or renovation projects. Solarstone cutting edge building-integrated solar panels perform as regular roofing material while harnessing solar energy. Most cost-effective and aesthetically appealing offer on the market.

## Experience

Solarstone partners have installed more than 900 roofs across Europe producing renewable energy. Solarstone has a variety of premium, value and mid-market BIPV products developed and sold 7 years.

## Why building-integrated solar?

Building-Integrated Photovoltaics (BIPV) improve energy efficiency of buildings, eliminates wasteful use of raw materials and is an effective tool for architects/planners. It is the future of construction.





## FIND US

-  SolarstoneEnergy
-  solarstonepv
-  Solarstone Energy
-  Solarstone

## SOLAR ROOF CALCULATOR

Designed for BIPV



Online tool helps automate layout generation and facilitates dimensioning of utility patented Solarstone® PV systems. Ask sales representative for access.

[app.solarstone.com](http://app.solarstone.com)

## 3D BIM MODELS FOR ARCHITECTS



For architects and engineers Solarstone® has created BIM models of building-integrated Solar Tiled Roof™ and Solar Full Roof™ solutions. Designing a renovation or new-build project with a solar roof is now simple and convenient.

[solarstone.com/architects](http://solarstone.com/architects)

## MATERIALS & TESTS

~100% recyclable



- Coated black aluminum frame
- Monocrystalline silicone cells
- Prismatic 3,2mm glass
- Flash testing to ensure rated level of output
- Lead-free solder protects health and the environment
- IEC 61215 & 61730
- Broof(t1)(t2)
- Solarstone®'s proprietary technology

Main Office & Factory  
Tallinna tn 58, Viljandi, Estonia

Sales Office  
Masti 17, Tallinn, Estonia

Representative Office  
Riia 26, Tartu, Estonia

[sales@solarstone.com](mailto:sales@solarstone.com)  
+372 5631 6666