

SOLARSTONE

The Solar Roof Company



Q2 2023

OUR MISSION

Making top performance building integrated solar affordable for homeowners & businesses.

Build one-stop shop for in-roof solar.

#sustainability

#renewableenergy

#smartcity

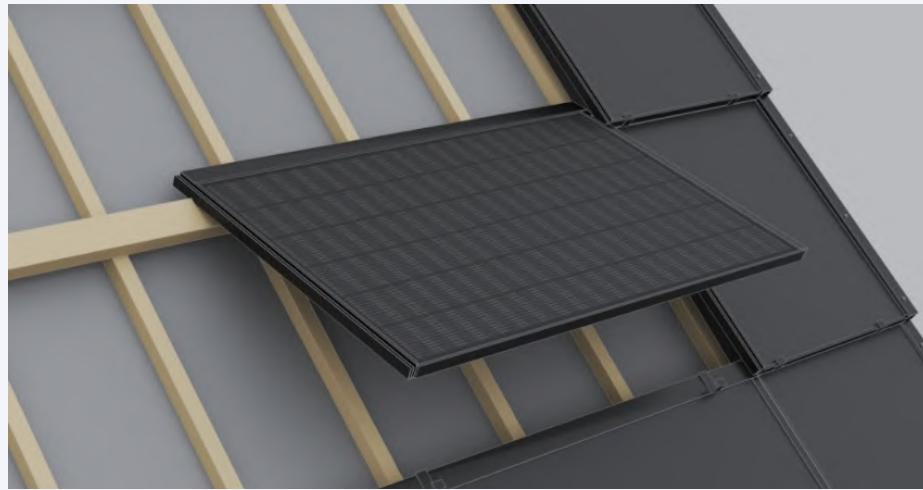
#proptech

#solarroof

#buildingintegrated



VALUE PROPOSITION



2x less material needed

Solarstone's 2in1 solutions require 2x less building material than traditional solar roofs. Sustainable construction methods with minimised carbon footprint.

A screenshot of a web-based digital toolset. It features a form titled "Insert roof dimensions:" with three input fields: "Width (mm)" with a value of 4000, "Length (mm)" with a value of 3000, and "Slope (°)" with a value of 18. Each field has a green checkmark to its right. To the right of the form is a simple diagram of a rectangle with a vertical side labeled 'A' and a horizontal side labeled 'X'. Below the form is a blue "SUBMIT" button.

Layout & price quote tool for stakeholders

Digital toolset uses smart algorithms, geolocation and satellite data for automated layout planning, quoting and production management.



Smart design makes it affordable

Solarstone unique solution renders standard solar panels into modern roofing material (BIPV). Premium solar roof for the price of a regular roof.

TRACK RECORD



First paying customer

Partnership with BMI Group

Launching Sweden with Svea Solar

Fully operational production facility

The birth of Click-on

500th solar roof

2016

2017

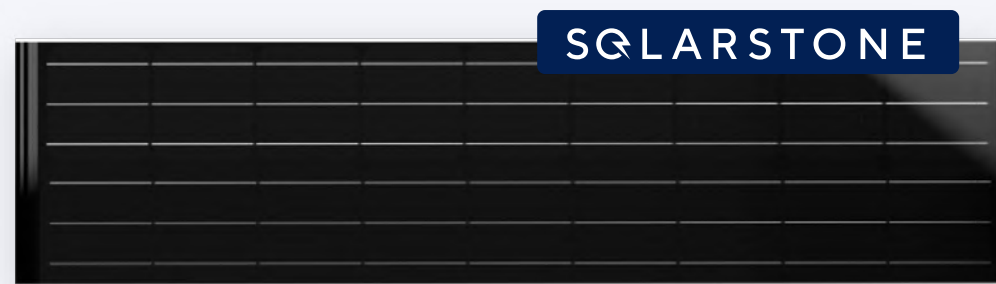
2018

2019

2020

2021

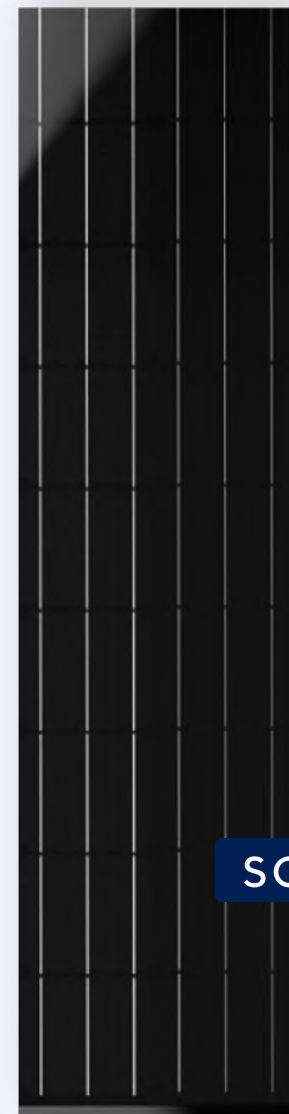
OUR ROOFING PRODUCTS



Solar Tiled Roof

Interlocking modules for tiled roofs. IP done

400 Premium Roofs built



Solar Seamed Roof

On-roof design solution for standing seam metal roofs (available Q3)

50 Design Roofs built



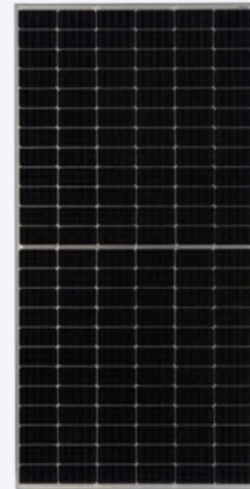
Solar Full Roof

Click-on solution for roofs and walls. IP done

450 Value Roofs built

CLICK-ON FRAMING KIT

A new standard in the industry



+



RESIDENTIAL



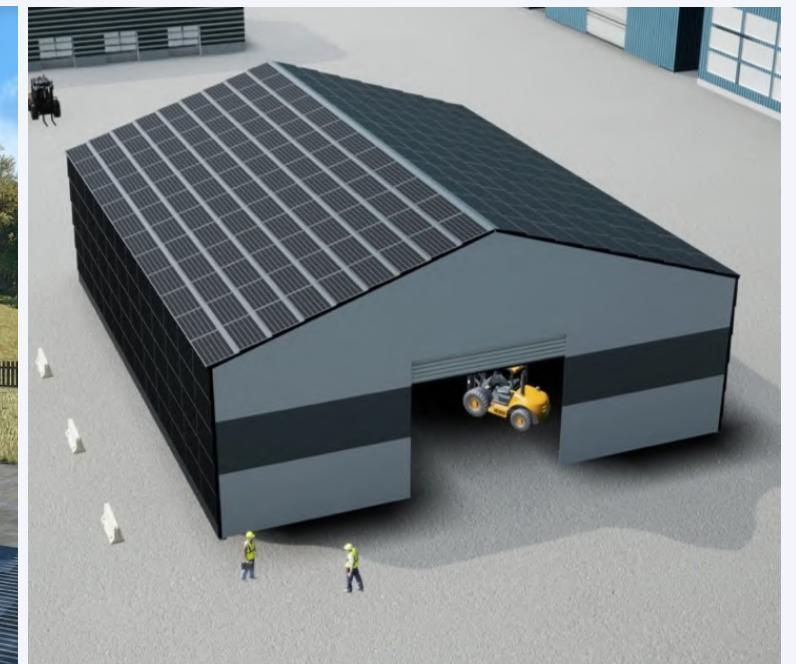
COMMERCIAL



CARPORTS



SOLAR HALLS





SOLAR CARPORT

MAIN FEATURES

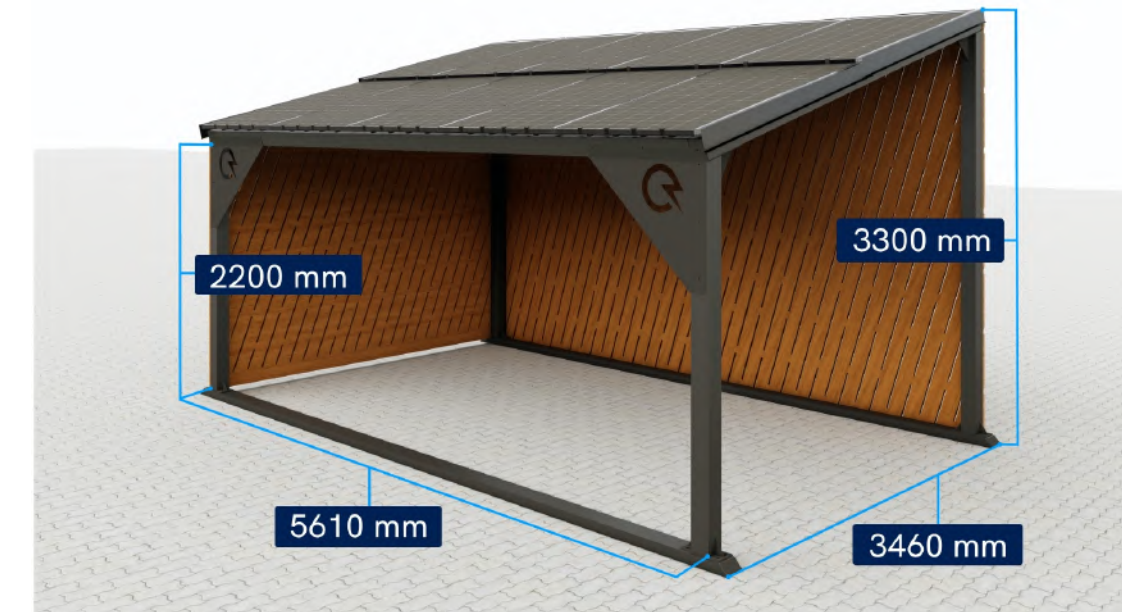
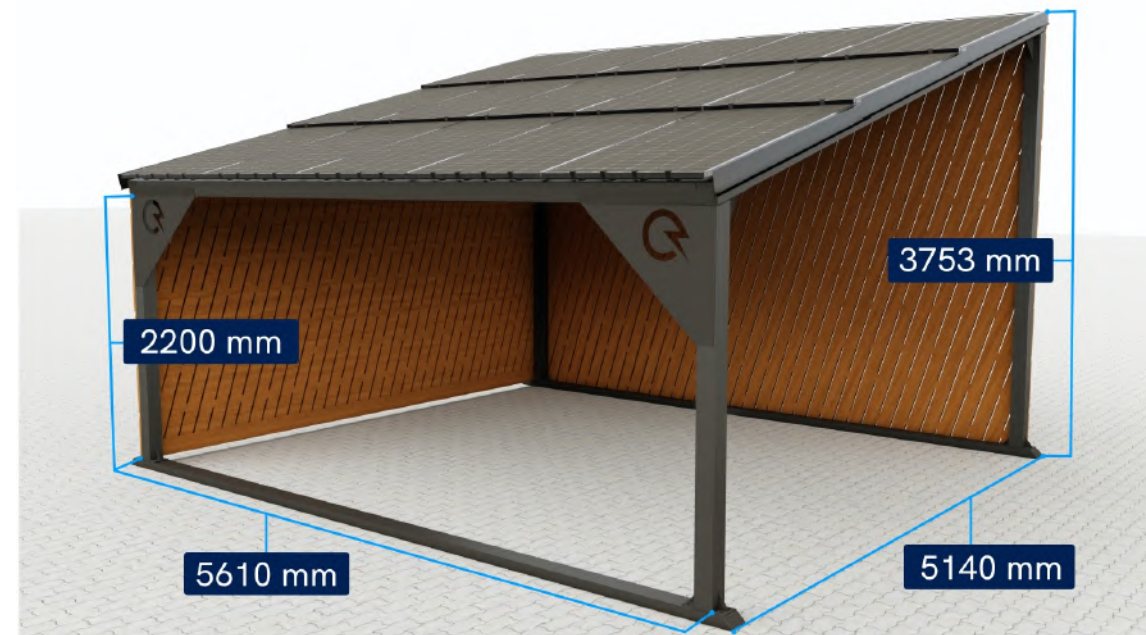
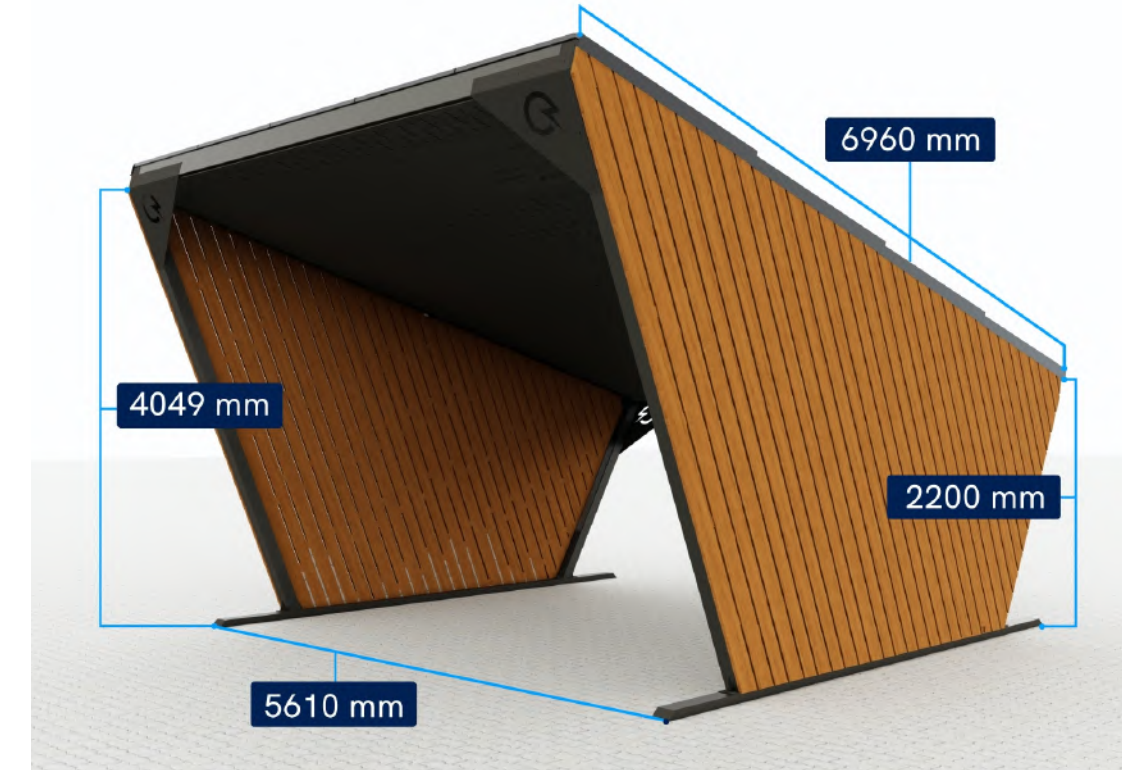
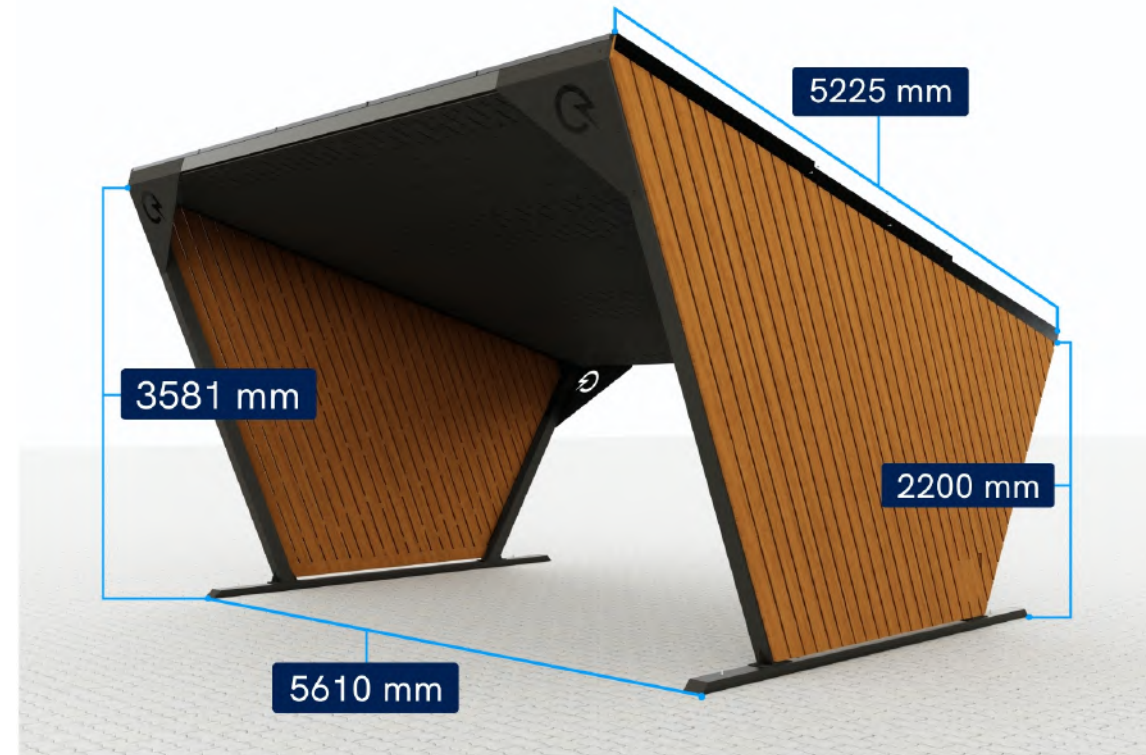
Power Output 5.85 kWp
Annual Yield 5000 kWh
Weight approx. 1000 kg

COMPONENTS

Metal profile. 4 mm steel (120x120)
Solar Full Roof. 15 pcs Risen 390 W panels

OPTIONAL COMPONENTS

Hoymiles microinverters (3 pcs, 1.8 kW)
Timber or plexiglass side covers
22 kWp electric car charger
Ceiling (timber or aluminum composite)



2023 FOCUS AREAS

Norway

Finland

Sweden

Estonia

Denmark

Latvia

Germany

Lithuania

Poland



SOLAR ROOF COMPETITION

EASY TO INSTALL

DIFFICULT TO INSTALL

EXPENSIVE

AFFORDABLE

Solarstone

10,000+ companies installing regular solar

Exasun

Solrif

Sunroof

Tesla

Roofit.solar

GSE

Sunstyle

Viridian

€110B

SPENT ON ENERGY
EFFICIENCY IN BUILDINGS
PER YEAR

€10B

ROOFTOP SOLAR
INSTALLATION MARKET,
PER YEAR

26M sqm new and reno roofspace available for Solarstone in **Europe** alone = avg 200€/sqm = **5B€** opportunity



VISION

Leading building-integrated solar provider in the Nordics today.

Top 3 in the world by 2025.

Digital ecosystem with affordable and simple 2-in-1 rooftop products

Tallinna Str 58
Viljandi, Estonia

sales@solarstone.com
+372 5361 6666

Try Pitch