

The shower of the future



Upfall Shower

The most powerful and economical shower in the world

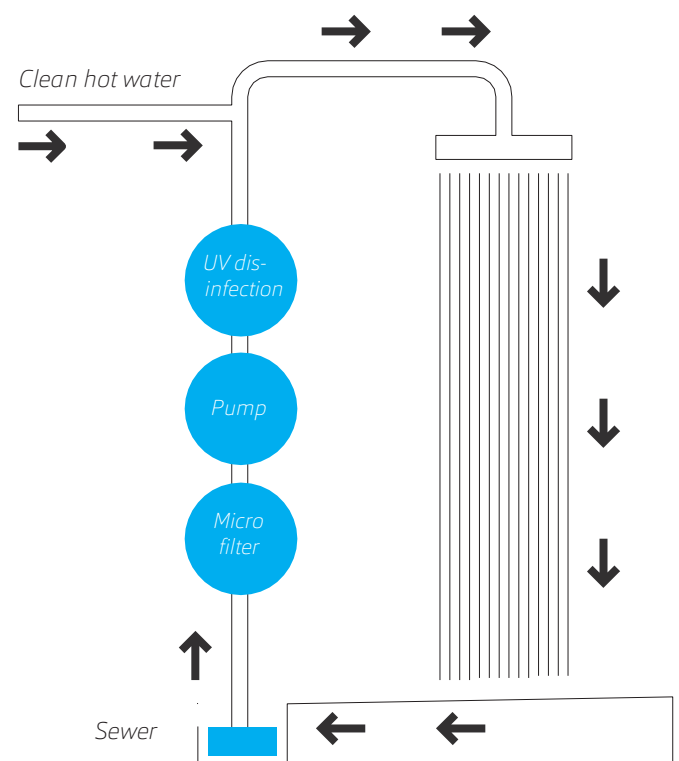
The new way of showering

In the Netherlands, more than three quarters of the drinking water goes to households, of which almost 70% is used for showering. Water use has increased in recent years due to the use of large rain showers. Heating water for showering consumes a lot of energy (gas / electricity). Families with growing children often have high energy bills due to long and frequent use of the shower. This can cause problems for new-build homes with a heat pump with a hot water boiler, as the capacity of this hot water supply is usually not sufficient as standard. In order to use a good rain shower, this capacity will have to be adjusted at high cost. The Upfallshower offers the solution for this: Sustainable showering with a large powerful rain shower without having to make adjustments with minimal water and energy consumption.

The Upfall upcycle shower system in 9 steps

1. The small reservoir fills with water
2. The water is sucked up from the reservoir
3. A microfilter stops hair and dirt
4. A pump pushes the water "UP"
5. The UV filter cleans the water
6. Hot water is added to refresh the water in the drain and keep it at the right temperature
7. Enjoy the wonderfully wide "FALL" from the large overhead shower
8. Circulation process repeats
9. After showering, the system drains completely

economical & comfortable





Upfall Shower

Sustainable showering with the most powerful and economical shower in the world

The step towards energy-neutral living has been taken. Gasless construction has been mandatory since 2018. Upfallshower responds to this demand for sustainable solutions with a very durable shower. The Upfall Shower consists of 2 shower systems: a regular shower and the upcycle system. The upcycle system has a rain shower of 40 x 40 cm and gives a comfortable and powerful +/- 35 litres of water per minute, but uses only 1.5-2 litres of water per minute. In comparison: a regular hand shower uses about 10 litres of water per minute, a rain shower uses 15 to 20 litres of water (drinking water!) per minute. The Upfall Shower uses up to 90% less water and energy. This can significantly reduce the hot water supply in a home and lower the EPC. The water of the Upcycle system is continuously filtered, refreshed, disinfected and heated.

Shower without guilt!

Choose the total picture and save more!

The application of the Upfall Shower's upcycle system not only saves a lot on water consumption, but also on energy. Heating shower water takes a lot of energy. Less gas use also means much less CO2 emissions and less waste water, making the use of the upcycle system better for the environment.

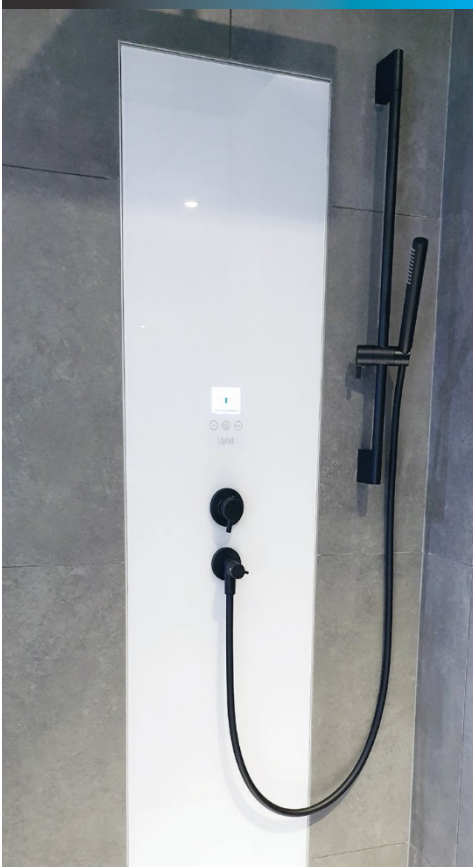
Due to the demand for less hot water consumption, the boiler also requires less energy to bring the water up to temperature. A boiler can also be smaller than when using a regular shower. The entire infrastructure in the home (central heating system, heat pump, boiler and solar panels) can therefore be made much smaller. This also entails savings. A standard 200 litre boiler in a new-build home will therefore be sufficient for a family when using the Upfall Shower. The Upfall Shower meets the highest standard for new construction. An Upfallshower is therefore a good investment for the environment.

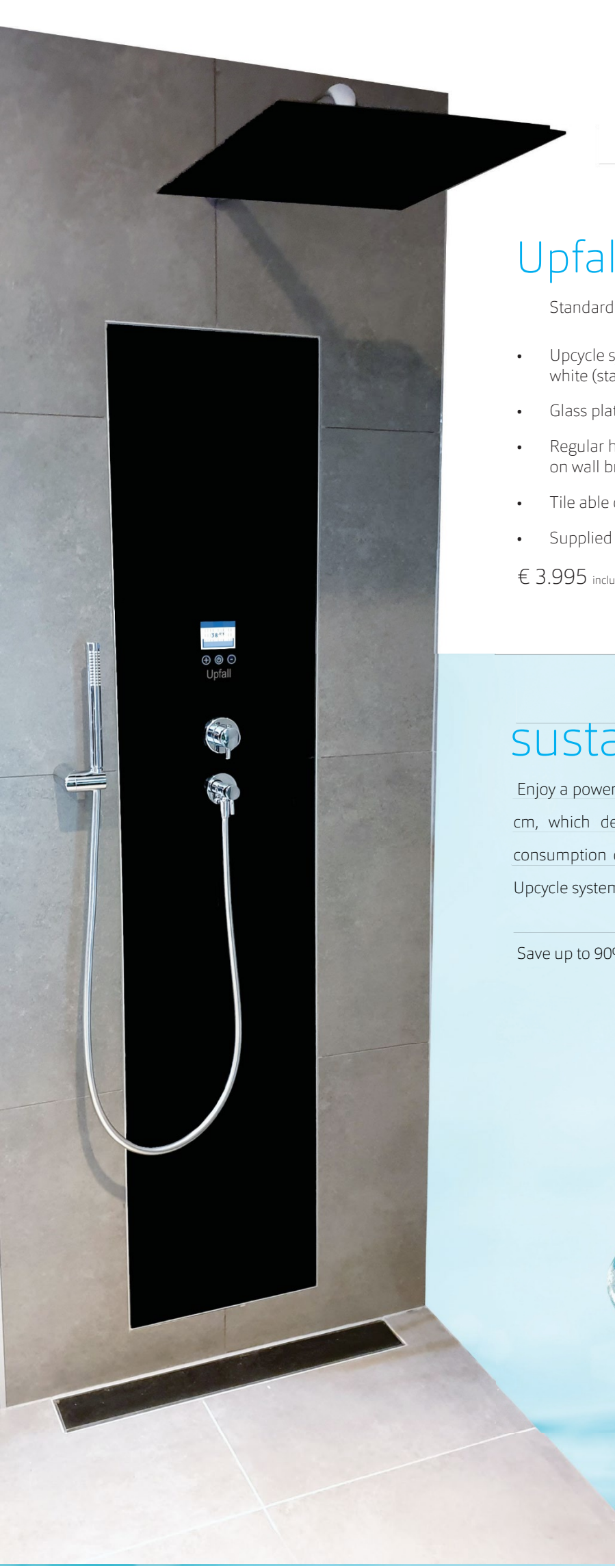
Enjoy without feeling guilty!

Pure wellness for the real shower enthusiast



duurzaam
douchen





Upfall Shower

Standard version:

- Upcycle system with digital display and square rain shower 40x 40cm in white (standard) or black
- Glass plate in white or black
- Regular hand shower with chrome thermostat with design hand shower on wall bracket
- Tile able cover plate on the drain
- Supplied on mounting frame: plug and play

€ 3.995 including tax

sustainable luxury

Enjoy a powerful waterfall from a rain shower of no less than 40 cm x 40 cm, which delivers 35 litres of water per minute with an average consumption of 1.5 / 2 litres of hot water per minute with the unique Upcycle system.

Save up to 90% on water and energy for a more sustainable world



Options

Taps in black	€ 495
Taps solid steel	€ 495
Sliding bad fo shower	€ 85

Mounting frame rainshower	€ 250
Three-position hand shower round	€ 45
Bluetooth music	€ 295



Technical

Voltage 230 volts

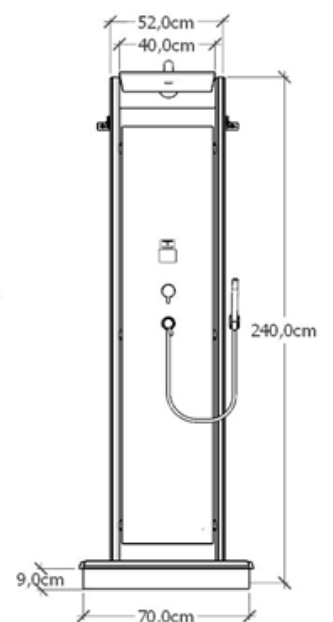
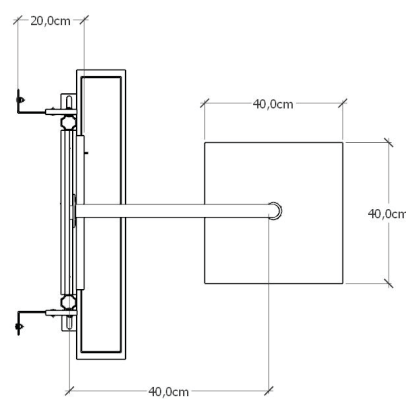
Power 175 watts

Installation depth element 20 cm. Frame can be shortened

1/2 " water connection. Drain 40mm

Hot water temperature 55 to 60 degrees Celsius / 131 – 139 F

Built-in depth reservoir in the floor 9 cm / +/- 4 inch including siphon



Less energy and water use up to 90%

Spacious rain shower

Smaller hot water supply

Less environmental impact

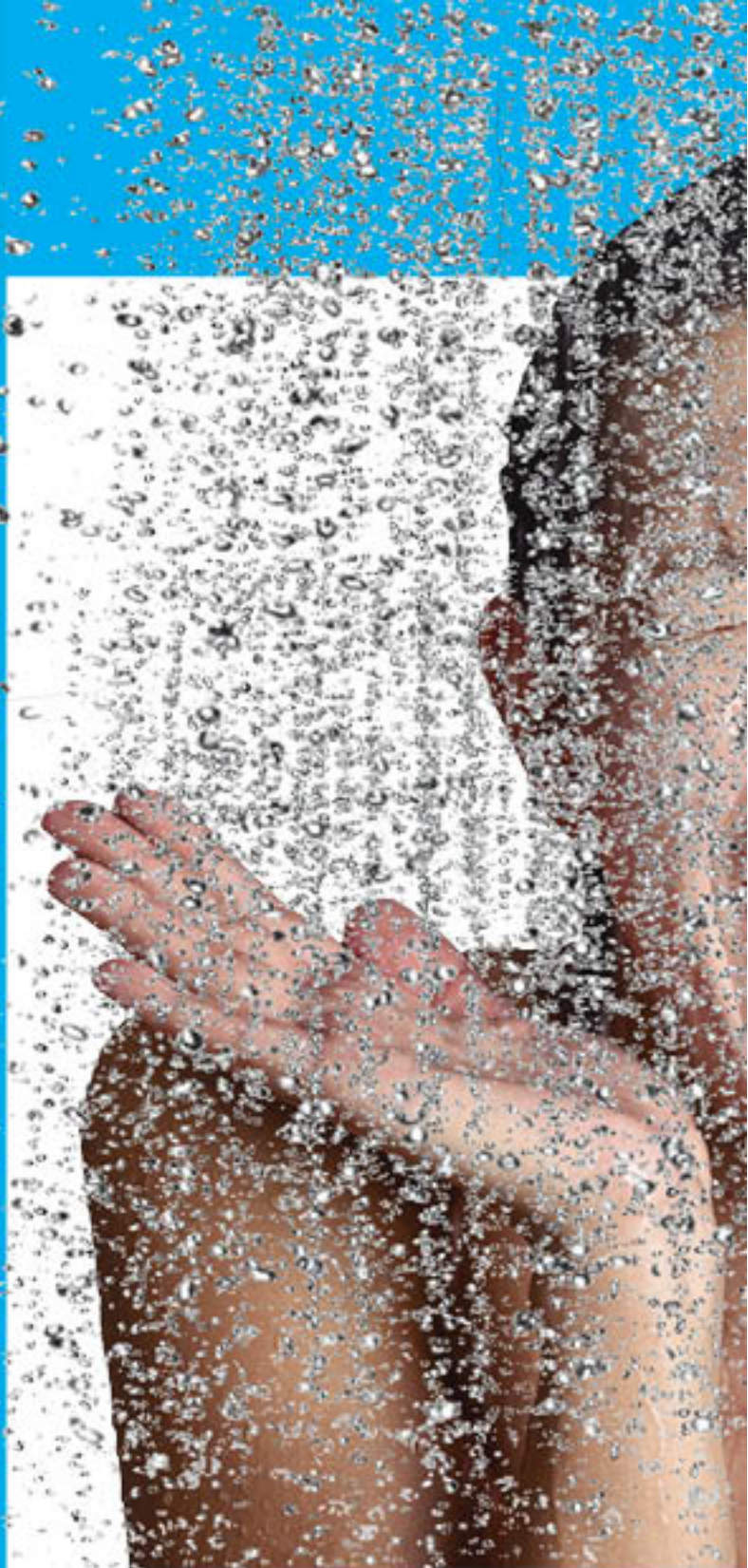
Less co2 emissions

Dutch product

Less waste water

Plug & Play

Better for the environment



Upfallshower BV

Antennestraat 8

1322AB Almere

036 536 89 88

info@upfallshower.com

www.upfallshower.com



kiwa
gecertificeerd





Ambassadors

Well-known Dutch people, specialists, connoisseurs, experts...



Maurits Green

Founder WakaWaka, Chief Commercial Officer EnergetikaNL. Co-founder of MGMC, Kipster, Greenem, Milieubende, DoTheBrightThing

"Showering is a daily luxury for many people. Water heated to 37 degrees then flows 'normally' back into the drain within a second. Collectively, this is a considerable energy and water use. Upfall Shower makes a combination of luxury showering, but with MUCH less environmental impact. A great invention!"



Jan Vayne

Piano artist, known worldwide

"Yes, I'm worried about tomorrow's world. What's it going to look like for my daughter, for her kids ...? For the last 100 years, we have carried out massive looting on our planet. Natural resources are depleted, pollution of air and soil around us, climate change, we are living on it. That's why I can fully support a product like the Upfall Shower. It meets all our requirements of luxury and comfort and at the same time this shower saves a lot of water, wastewater and energy. "



Reinier van den Berg

Weatherman known from TV. Specialist in weather, climate and sustainability

"The weather, our climate, our earth has always occupied me. In recent decades, however, I have seen more and more problems appear in our living environment that are the result of the way we deal with our earth. Sustainable innovations such as the Upfallshower are desperately needed to turn the tide. In our country, billions of litres of clean drinking water go to the shower every year and they are simply hardly used flushed down the sewers. The upfallshower's return of 70% has been demonstrated by the KIWA, so what are we waiting for?"



Ruud Koornstra - Wikipedia

National Energy Commissioner, visionary, sustainability strategist and entrepreneur.

"Innovations in the field of sustainability have my passion and are my daily work. Where I can, I will support innovations for a better world. We've spent too long destroying this beautiful earth. It is also high time that inventions such as the Upfallshower were put on the map. The amount of water and energy that this way of showering saves is enormous, without compromising on quality or comfort and will have a huge impact worldwide in the future. Showering as we do now will be a thing of the past in the future, that's my belief! "



Vincents Everts

Trendwatcher, Digital transformation lover, Sustainability & EV + dagvz

For me, Upfall is the story of an innovation that is wonderfully luxurious to reduce 30% less of my energy at home and an entrepreneur who stays on until it succeeds



Herman J. Harkink

Consultant LED, Wind- en Solar Energy. Circular, Sustainable Energy Solutions. R&D. BNI Forte.

"As a consultant and technician in renewable energy, I know all too well that showering is the second largest energy consumer in the house. Enough hot shower water will remain a problem in future homes as well. The Upfallshower is a product that in my opinion gives many solutions. The shower uses much less energy and water than a normal shower, gives less wastewater and still allows the user to enjoy a real wellness shower".



Gideon Goudsmit

Founder of the Energiecommissie. Green motion. Energy consultancy. Specialty energy positive buildings.

"If we want future generations to live in a habitable world, we will have to think and live differently. We shower daily with drinking water and drinking water is expensive. A lot of people don't even have access to drinking water in our world. So let's show solidarity with each other. Don't think; What can I get, but think; What can I give. Showering with an Upfallshower also saves a lot of energy and I can fully agree with that. Improve the world and start with yourself, I always say".



Erik Lammers

Owner of Sier Infrared. Specialist in the field of sustainable heating with infrared.

"For future homes, heating water for the shower will remain a major problem. A house equipped with an Upfallshower will have no problem with that. The amount of hot water to be used is so small and the luxury so great that I fully believe in this "shower of the future. The Upfallshower fits seamlessly into our gasless concept with infrared heating".



Levi van Kempen

TV host, actor, presenter & voice-over. Sustainable inspiration. Known from a.o. Good Times Bad Times,

"For years I have been committed to a sustainable future. For my own home, which will be completely sustainable, I have of course chosen the Upfallshower. Sustainability and comfort go together here in a beautiful styling. Saving energy is nice, but saving water is a must. Upfallshower combines both and will change showering worldwide. "



Milan van der Meulen

Climate Reality Leader

Top 3 Best young entrepreneurs in the Netherlands. Trained by Al Gore

"The urgency of our climate problem has never been greater than it is today, but the solutions are many times greater. Concrete measures such as Upfallshower prove this. A sustainable solution with a financial saving without compromising on comfort. "



Jasper Fleers

Ambassador of "The NewShower." Oprichter De Groene Lobby, one of the hundred most sustainable young people in the Netherlands, Inspiration speaker.

"We need to make the world more sustainable! I myself am committed to accelerating the transition to a sustainable world on a daily basis. What I like about sustainable innovations is that they are almost always financially interesting in the long term. So is the Upfall Shower! Not only do you make the world a better place, it's also a smart and comfortable investment!"



Henk Ovink

Special Envoy for International Water Affairs at Kingdom of the Netherlands. Appointed by the Dutch Government

"Water is scarce, we appreciate it badly, too much causes floods with a lot of damage and casualties and too little for instability, refugees and conflicts. We feel the impact of climate change most strongly worldwide through water, too much or less. And we can all do something now! We have been showing this in the Netherlands for centuries. Water is our culture and is part of how we have developed our cities and landscapes. Water is also our economy with our ports, inland waterways and top sector water. We innovate every day. And all that shows the Upfall Shower. Less water, really less for a truly sustainable future. "



Hugo von Meijenfeldt

Coordinator Implementation Global Goals at Ministry of Foreign Affairs

"I believe that inventions such as the Upfall Shower can certainly make a major contribution to the global water and CO2 problem that we are struggling with today. The results of the shower are nothing short of spectacular"



Johannes Boonstra

Executive board member at Wetsus - Wetsus, European Centre of Excellence for Sustainable Water Technology

"The Upfall Shower is a wonderful example of a sustainable technique with which every home can save water and energy. And that also with the preservation or increase of the living comfort! Wetsus therefore warmly welcomes this development."



Bart Volkers

Innovation and project manager Water Technology at Water Alliance and ProActBlue

"We have had the Upfall Shower at home for a few months now. The children call it the rain shower, and that name actually fits the shower experience. In my daily work I recommend this sustainable shower. I like to add the deed to the word and therefore now I have one. Sustainability and comfort come together well in this innovative product."



Maurice Vegetable Man

Sr.Consultant International Business & SIB Adviseur

"Coming up with a revolutionary idea is one thing, but actually executing it and marketing it is something else entirely. What René Betgem is achieving with his "upfall water saver shower" can be more than that proverbial drop on the growing plate to actually be more economical with one of the most scarce things on earth: water! Chapeau for this unique initiative. "



Maarten Hardon

Directeur Venty BV. Advising all relevant activities in the field of oil and gas, offshore, marine and wind energy.

"In offshore and shipbuilding, the Upfall Shower is a wonderful invention. Think of, for example, an oil rig or a cruise ship. The Upfall Shower offers the possibility of huge savings in water and energy and at the same time a huge luxury with hardly any wastewater. "



Huh Molenkamp

Managing Director Water Alliance

"Water Alliance member Upfall shower shows the innovative power of Dutch SMEs. Turning an idea into business, with social relevance. Water and energy saving and at the same time wonderful showering. An innovation with global export opportunities. "



Tjeerd Herrema

Alderman Almere, director-change management-supervisor non-profit (interim)

"The Upfall Shower exactly the innovation we need, beautiful design and great contribution to less water consumption. I hope that many builders and consumers will be able to find this innovation from Almere. It's worth it. Beautiful innovation from the city that is at the forefront of innovative building."



Thierry de Jager

Managing Director and Owner
Hajé Hotels

"at a time when the world is facing an impending water shortage, we in the hotel world cannot watch with empty eyes as guests stand in the shower for a long time. With the Beterbad Upfall Shower we can offer extra comfort and still use less water and energy. In addition, it increases a sustainable character of a hotel. "



Antoine Maartens - A

Program manager icon project "Sustainable Wadden" at Urgenda

"When using the Upfall Shower, in our energy neutral home on Ameland, we found a reduction in the use of shower water of 80%, compared to a normal shower. This means considerably less hot water use and therefore an important CO2 reduction: that is what counts for Urgenda. "



Barteld Oppers

Innovation Thinker & Consultant Hotel and Recreational sector

"The Beterbad Upfall Shower offers the possibility for the hotel and recreation sector to do something about the large water and energy consumption and to also reduce the flow of wastewater. I believe it's only a matter of time before this way of showering is accepted worldwide."



Chris Bruijnes

Director/Director Innovation Link

"The Upfall shower is the Tesla in the showers. It is revolutionarily economical and it brings your own water purification into your home! So no more almost clean drinking water in the drain. And that with more comfort, hardly any maintenance and modern design. Long shower with a good feeling."



Anne Marie van Osch

Project Manager Sustainable Energy/ Sustainable Energy

"All attention nowadays goes to energy, that is also my work at the municipality of Almere. But what is often forgotten is that the more water you have to heat up, the more energy you use with it. That's why I think the Beterbad Upfall Shower is a great invention. You save on water and energy at the same time without compromising on comfort"



Michiel F. van Veen

Innovatiemanager at InnovatieLink

"A hot shower is warmed water to flow along your body with poor heat transfer. So the heated water hardly flows away cooled again. Many people want to save but while maintaining comfort: The Upfall Shower seems like a breakthrough in this! "



Iwan Fransen

Structural Engineer, Owner by JustNimbus, rainwater expert

"The Upfall is not only a hugely durable product with impressive savings but also offers solutions for the desire to apply a very comfortable shower without the need for many adjustments to water yield and hot water preparer (fast enough hot water)

This sometimes causes disappointments in common rain showers.

We use a 100 liter heat pump boiler that heats all our water with 500watts, showers, washing and washingdishes. That's unthinkable with usual generous showers.

In addition, it is wonderful to shower so generously and know that you do not waste unnecessarily. In fact, you save. No guilt:)

And the fact that you are showering in partially reused water is not noticeable at all! "



Yvette Watson

Circular Facility Manager PHI Factory. Chairwoman fmn expert group Circular and Inclusive Economy.

"A new economy, a circular economy has the future. That's what I believe in. We desperately need products like the Upfallshower. What most of us do not know is that clean drinking water with hundreds of liters at a time flows directly into the drain of the shower and that is not necessary at all. For most families, even more than half of the

water goes directly into the sewers, while there are many countries where people have to walk for hours for a few liters of water. A social and circular economy is my biggest wish for the future. "



Johan Bel

Owner My Water Factory. Entrepreneur in the circular economy. Specialist in sustainable water systems.

"My Water Factory supplies sustainable water systems to make buildings completely water neutral and self-sufficient. The first step to achieving this is saving on water use and the Upfall Shower is an indispensable link. The combination with energy saving and luxury showering is unique and very convincing for the user. "



Randall van Poelvoorde

Exponential Technology

Strategist & Speaker

"Our world is changing rapidly. We don't want to keep our planet livable for all those who come after us by sticking to old habits. One of those habits that really needs to change is showering with drinking water. In the Netherlands, large quantities of water go into the drain almost immediately, while there are much better sustainable solutions such as upcycle showering. The Upfallshower is therefore a product that I really believe in. The global upcycle shower can make a huge difference worldwide."